



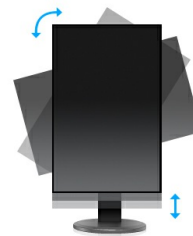
High-end 24" VA monitor featuring height adjustable stand

ProLite XB2481HS - a 24" LED backlit LCD Screen featuring VA panel technology, guarantees accurate and consistent colour reproduction with wide viewing angles. Offering 3000:1 Native Contrast Ratio, the ProLite XB2481HS provides excellent performance for Photographic, Design and Web-design. The monitor features a height adjustable stand with PIVOT function making it also an excellent choice for Universities, Corporate and Financial Markets.



VA matrix

VA panel technology offers higher contrast, darker blacks and much better viewing angles than standard TN technology. The screen will look good no matter what angle you look at it.



HAS + Pivot

With a height adjustable stand you will create an ergonomic work posture and position that meets all health and safety requirements. This will not only prevent any health issues but will also increase your productivity. The pivot function allows the screen to rotate from landscape to portrait orientation. This functionality can be useful if the application requires more height than width.

01 CARACTERÍSTICAS DE LA PANTALLA

Diagonal	23.6", 60cm
Pantalla	VA LED, matte finish
Resolución nativa	1920 x 1080 (2.1 megapixel Full HD)
Relación de aspecto	16:9
Brillo	250 cd/m ² typical
Contraste estático	3000:1 typical
Contraste avanzado	12M:1
Tiempo de respuesta	6ms
Área de visualización	horizontal/vertical: 178°/178°, derecho/izquierdo: 89°/89°, arriba/abajo: 89°/89°
Soporte de Color	16.7mIn 8bit (6bit + Hi-FRC)
Sincronización horizontal	24 - 80KHz
Sincronización vertical	56 - 75Hz
Área de visualización h x v	521.28 x 293.22mm, 20.5 x 11.5"
Pixel pitch	0.2715mm
Colour	mate, negro

02 INTERFACES / CONECTORES / CONTROLADORES

Signal input	VGA x1 DVI x1 HDMI x1
HDCP	sí

03 CARACTERÍSTICAS

Reductor de luz azul	sí
OSD idioma	EN, DE, FR, ES, IT, PT, CN, RU, JP
Controles	Power, Menu, +/-Volume/Blue Light Reducer, -, Auto
Los controles de usuario	luminance (contrast, brightness, ECO, i-style Colour, ACR), image steep (clock, phase, H. position, V. position, aspect), colour (gamma, colour temperature, sRGB), OSD setup (H. position, V. position, OSD time out, language), extra (reset, signal select, HDMI audio, OD, information), volume, auto adjust
Altavoces	2 x 2W
Comodidad	preparado para Kensington-lock™, DDC2B, Mac OSX

04 ASPECTOS MECÁNICOS

Soporte de altura regulable	height, pivot (rotation), swivel, tilt
Ajuste de altura	130mm
Rotación (función de pivote)	90°
Soporte giratorio	90°; 45° izquierdo; 45° derecho
Ángulo de inclinación	22° arriba; 5° abajo
Montaje VESA	100 x 100mm

05 ACCESSORIES INCLUDED

Cable	de alimentación, DVI, Audio
Otro	guía de inicio rápido, safety guide

06 GESTIÓN DE ENERGÍA

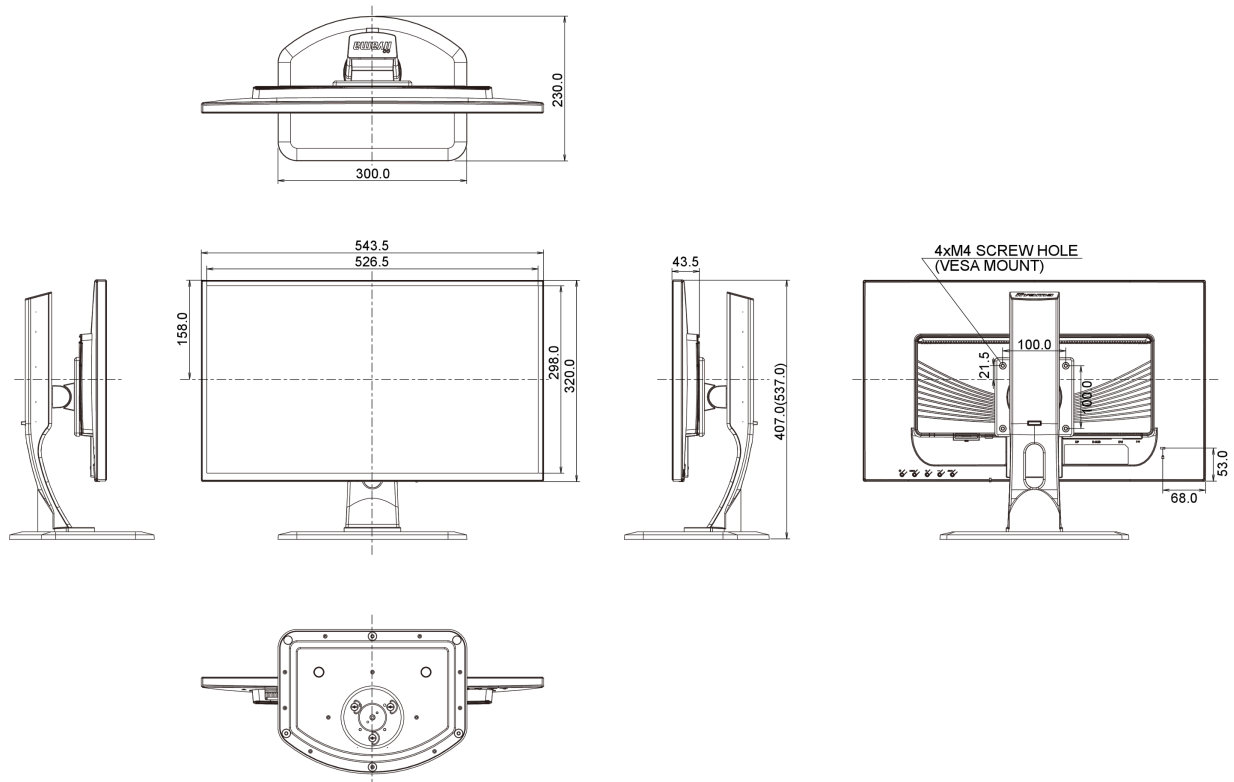
Unidad de fuente de alimentación	interno
Fuente de alimentación	AC 100 - 240V, 50/60Hz
Gestión de energía	25W typical, Modo en espera 0.5W

07 SOSTENIBILIDAD

Certificados	CE, CU, TÜV-GS
Clase de eficiencia energética	B

08 DIMENSIONES / PESO

Producto dimensiones W x H x D	543.5 x 407 (537) x 230mm
Peso (sin caja)	5.5kg



All trademarks and registered trademarks acknowledged. E & O E. Specification subject to change without notice. All LCD's comply with ISO-9241-307:2008 in connection with pixel defects.

© IIYAMA CORPORATION. ALL RIGHTS RESERVED